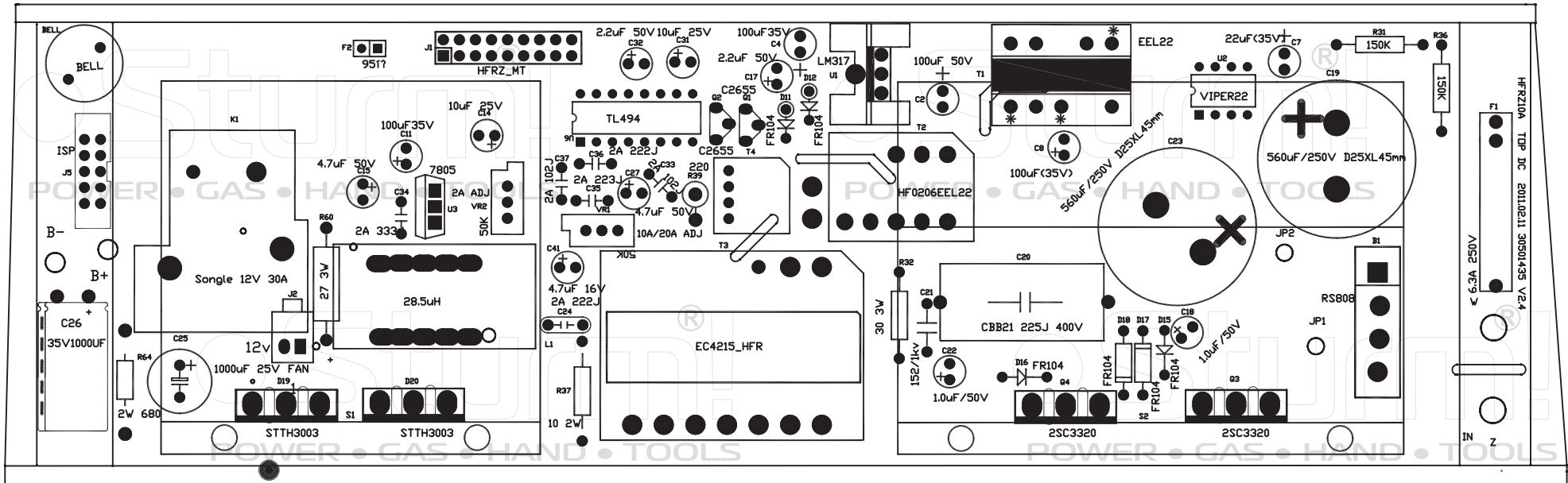


BC2420

NO	DESCRIPTION
1	CABLE COVER
2	HANDLE
3	BACK COVER
4	CABLE CLIP
5	CLAPBOARD
6	RADIATOR
7	FUSE
8	MAIN PCB
9	FRONT LABEL WITH PCB
10	FRONT COVER
11	FAN
12	PWM CHIP
13	VR POTENTIOMETER
14	TRANSFORMER
15	MANOSTAT
16	INDUCTANCE
17	INPUT CABLE & PLUG
18	OUTPUT CABLE & CLAMP
999	MAIN BOARD ASSEMBLY(6+7+8+12+13..+16)

ST20110713

The main board front for BC2420



The main board back for BC2420

